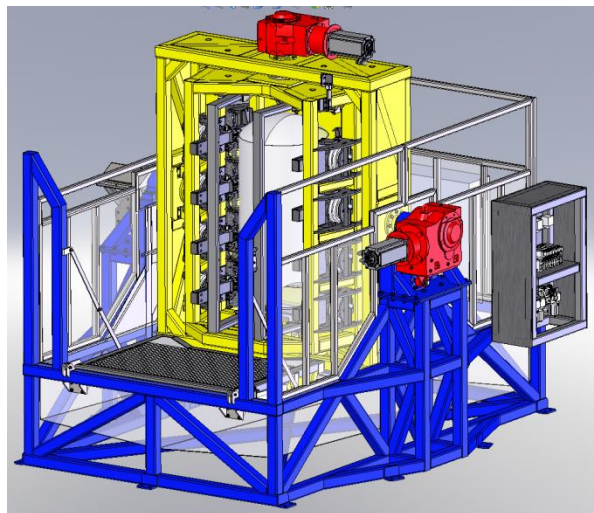


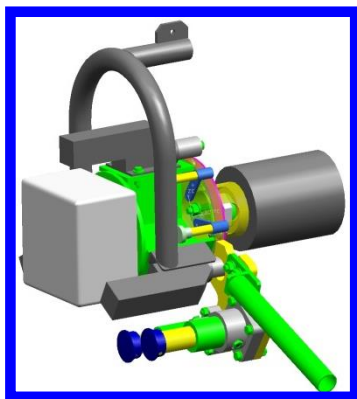
- We Can Strengthen Your Bottom Line Through Simplified Operations, Product Development and Enhancements
- iQuest Engineering LLC is a Professional Design and Integration Firm Licensed in California and South Carolina, Founded in 2005

We create value through smart, yet simple designs and robust operations integration

- Product and equipment innovation
- Industrial process automation
- Assembly and tooling fixtures
- Complete "Turn-Key" production machines
- Fully integrated systems – Mechanical, structural, pneumatic, hydraulic, gear trains, electric motors and drives



3D CAD Models

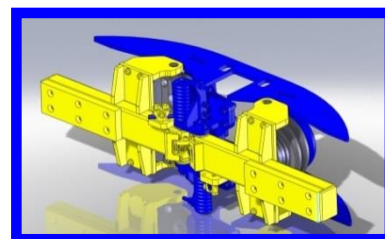
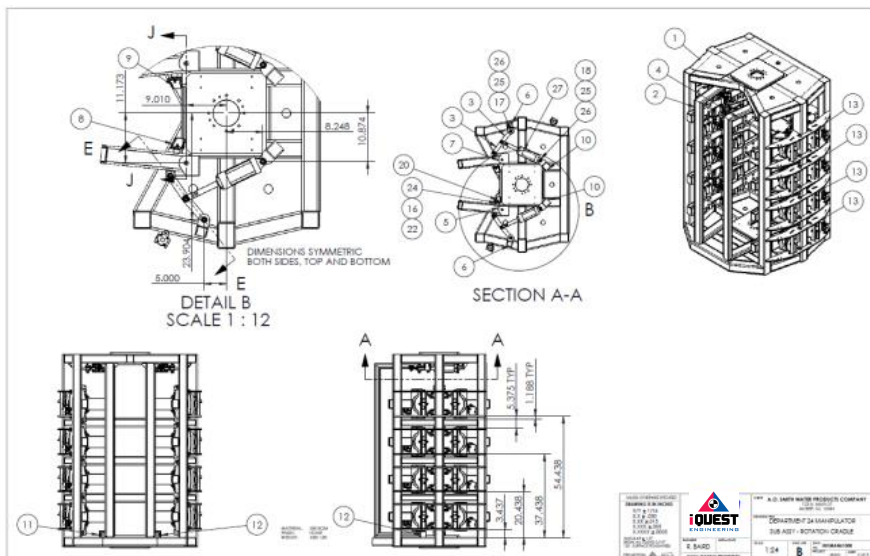


Completed Fixtures

We simplify operations, improve products and the bottom line

- Complete product development from Computer Simulation to completed hardware
- Design and Analysis – Using SolidWorks 2016, Unigraphics and Traditional Hand Calculations
- We are available to facilitate a FREE consultation and evaluation of how iQuest can help solve your production challenges

Detail and Assembly Drawings



iQuest Engineering LLC

PO Box 81123

Simpsonville, SC 29680

Roark Baird PE

roark@iquestengineering.com

www.iquestengineering.com

864.238.3078

